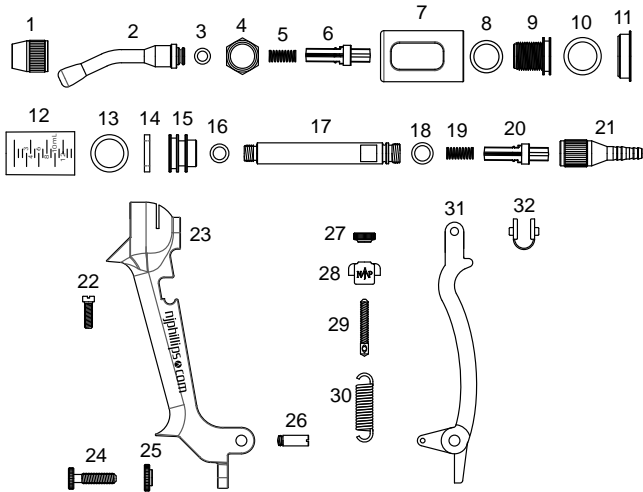




- Supplied with lamb nozzle fitted, sheep nozzle available.
- Unique 'close-in' drench position.
- Small 'thick' nozzle for safety with lambs.
- Fully serviceable with kits available.
- Handles all lamb drenches.
- High flow valve system.
- Full metal construction



PARTS BREAKDOWN



- | | | |
|---------------------------------------|-------------------------------------|------------------------|
| 1. Nozzle Nut (SN4) | 17. Push Rod (SN615) | 31. Lever (DA117/G4) |
| 2. Lamb Nozzle (SN664) | 18. Inlet Adaptor Seal Ring (SP127) | 32. Lever Pad (SP1210) |
| 3. Nozzle Seal Ring (SP200) | 19. Inlet Valve Spring (SP2) | |
| 4. Delivery Cage Lock Nut (SN5) | 20. Inlet Valve (SH130) | |
| 5. Delivery Valve Spring (SP2) | 21. Inlet Adaptor (SN374) | |
| 6. Delivery Valve (SH130) | 22. Handle Clamp Screw (SP6/N) | |
| 7. Cylinder Cover (SA80/G4) | 23. Handle (SA83) | |
| 8. Delivery Cage Seal Ring (SP176) | 24. Dose Adjustor Screw (DN112) | |
| 9. Delivery Valve Cage (SN657) | 25. Dose Adjustor Lock Nut (SN12) | |
| 10. Cylinder Seal Ring (SP375) | 26. Lever Pin (SN16) | |
| 11. Cylinder Spacer Bush (SN147) | 27. Spring Adjustor Nut (SN15) | |
| 12. Cylinder (SH1614) | 28. Adjustor Trunnion (SN14) | |
| 13. Piston Seal Ring (SP375) | 29. Adjustor Spindle (SN17) | |
| 14. Lubricating Washer (SP8) | 30. Return Spring (SP154) | |
| 15. Piston (SH677) | | |
| 16. Piston Push Rod Seal Ring (SP801) | | |

MODEL	DOSE RANGE	INCREMENTS
10ml	1ml – 10ml	1ml

KIT NO.	PART NAME	PART NO.
WX1725	Minor Service Kit	3,5,6,10,13,14,16,18,19,20.
WX1726	Major Service Kit	3,5,6,10,12,13,14,16,18,19,20.

PLEASE ORDER BY KIT AND PART NAME

SUITABLE FOR USE WITH

*ZOLVIX® Zolvix® is a registered trademark of Novartis Animal Health Inc.



Enquire about our plastic drencher PAD1331, also suitable for Zolvix®.

* NJ Phillips takes no responsibility for any changes made to pharmaceutical products listed under "Suitable for Use With" which may cause an instrument to work other than expected, as changes in chemical composition may effect components of an instrument.



Customise this instrument with your brand colour and logo. Contact us for details.



njphillips.com
Our expertise is in your hands.

LOCKED BAG 8, GOSFORD NSW, AUSTRALIA 2250

P +61 2 4340 2044 F +61 2 4340 1991 | E njp1@njphillips.com.au