

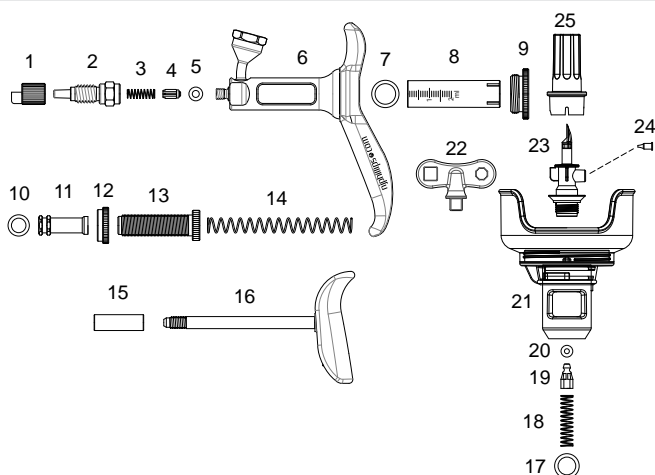


- Robust and highly accurate design
- Administers a variety of injectables.
- Able to dispense viscous products.
- Variable dose from 0.5ml to 2ml.



MODEL	DOSE RANGE	INCREMENTS	CODE
2ml	0.1ml – 2ml	0.1ml	PAS687
<b>Also available in:</b>			
1ml	0.1ml – 1ml	0.1ml	PAS685
5ml	0.5ml – 5ml	0.5ml	PAS265

## PARTS BREAKDOWN



1. Needle Nut (SN45/N)	14. Return Spring (SP514)
2. Needle Mount (SN373/N)	15. Spring Cover Plate (SN265)
3. Delivery Valve Spring (BP235)	16. Push Rod Assembly (SXN599)
4. Delivery Valve (WX1513)	17. Draw-Off Needle Seal Ring (SP309)
5. Needle Mount Seal Ring (SP66)	18. Inlet Valve Spring (SP1472)
6. Body (SXM618)	19. Inlet Valve (SH131)
7. Cylinder Seal Ring (SP220)	20. Inlet Valve Seal Ring (SP631)
8. Cylinder (SH621)	21. Bottle Retaining Shroud (SH1643, SH1666, SH1667)
9. Cylinder Lock Nut (SP1397)	22. Spanner (SP1245)
10. Piston Seal Ring (SP1245)	23. Draw-Off Needle (SH1642)
11. Piston (SN366)	24. Air Bleed Valve (SP916)
12. Dose Adjustor Lock Nut (SN261)	25. Needle Shroud (SH1663)
13. Dose Adjustor (SN260)	

## PAS687 (2ml)

KIT NO.	PART NAME	PART NO.
WX750	Major Service Kit 2ml	3,4,5,7,8,10,14,17,18,19,20.
WX1062	Minor Service Kit 2ml	3,4,5,7,10,14,17,18,19,20.
WX1775	Major Kit Quick Release Bottle Attachment	17,18,19,20,21,22,23,24,25.
WX1774	Minor Kit Quick Release Bottle Attachment	17,18,19,20,22,23,24,25.
WX1781	Conversion Kit (Feed tube Attachment Fitting)	Not Illustrated.

PLEASE ORDER BY KIT AND PART NAME

## PAS685 (1ml)

KIT NO.	PART NAME	PART NO.
WX749	Major Service Kit	Not Illustrated.
WX1118	Minor Service Kit	Not Illustrated.
WX1775	Major Kit Quick Release Bottle Attachment	Not Illustrated.
WX1774	Minor Kit Quick Release Bottle Attachment	Not Illustrated.
WX1781	Conversion Kit (Feed tube Attachment Fitting)	Not Illustrated.

PLEASE ORDER BY KIT AND PART NAME

## PAS265 (5ml)

KIT NO.	PART NAME	PART NO.
WX764	Major Service Kit	Not Illustrated.
WX1059	Minor Service Kit	Not Illustrated.
WX1775	Major Kit Quick Release Bottle Attachment	Not Illustrated.
WX1774	Minor Kit Quick Release Bottle Attachment	Not Illustrated.
WX1781	Conversion Kit (Feed tube Attachment Fitting)	Not Illustrated.

PLEASE ORDER BY KIT AND PART NAME



Customise this instrument with your brand colour and logo. Contact us for details.



**njphillips.com**  
Our expertise is in your hands.

LOCKED BAG 8, GOSFORD NSW, AUSTRALIA 2250

P +61 2 4340 2044 F +61 2 4340 1991 | E njp1@njphillips.com.au